

## NX2012SA

For OA / AV / Mobile Communications

### ■ Features

- Compact, thin, and light weight tuning fork crystal unit.
- Compact and thin. (2.0×1.2×0.55mm)
- Use a metal lid: Excellent shock resistance during chip mounting process comparing to a glass lid.
- Excellent electric performance optimum for mobile communications, OA (office automation) and AV (audiovisual) applications are exhibited.
- A surface-mount crystal oscillator. (Reflow soldering is possible.)
- RoHS compliant. These can meet the requirements of re-flow profiling using leadfree solder.



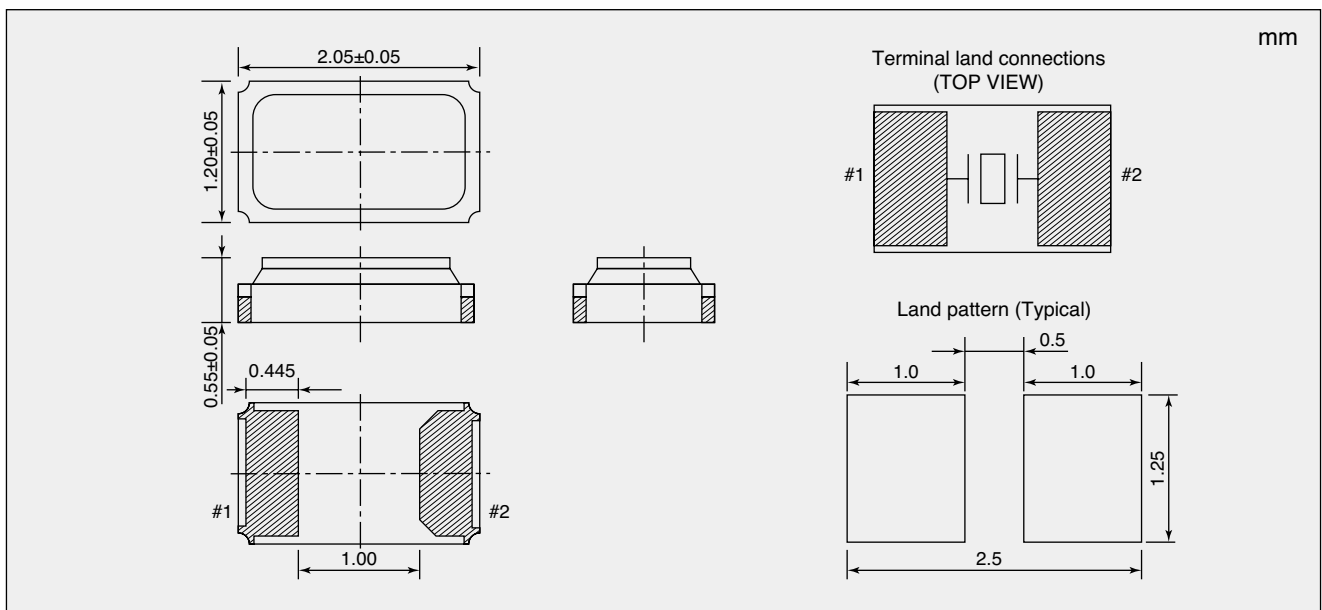
Pb Free

RoHS Compliant  
Directive 2011/65/EU

### ■ Specifications

Item	Model	NX2012SA
Nominal Frequency		32.768kHz
Operating Temperature Range		-40 to +85°C
Storage Temperature Range		-40 to +85°C
Level of Drive		0.1μW (0.5μW Max.)
Frequency Tolerance (25 ±3 °C)		±20 × 10 <sup>-6</sup>
Turning Point		+25°C ± 5°C
Temperature Coefficient		-0.04 × 10 <sup>-6</sup> /°C <sup>2</sup> Max.
Load Capacitance		12.5pF
Equivalent Series Resistance		80kΩ Max.
Shunt Capacitance		1.3pF typ./ 1.5pF Max.
Insulation Resistance		500MΩ Min.
Specifications Number		STD-MUB-1

### ■ Dimensions



Please specify the model name, frequency, and specification number when you order products.  
For further questions regarding specifications, please feel free to contact us.