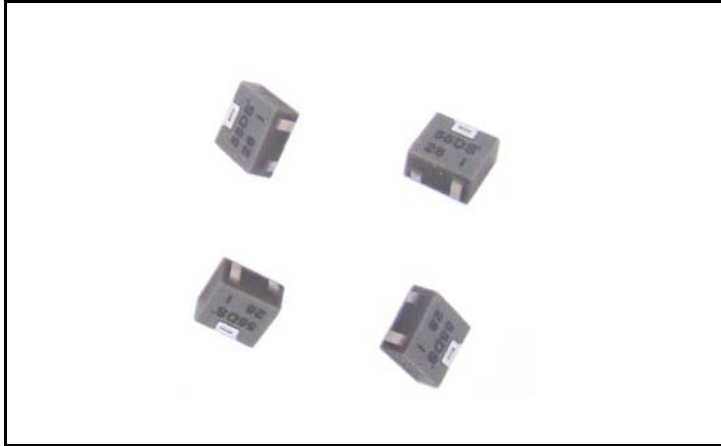


# 调频 / 调幅系列 陶瓷鉴频器

## Ceramic Discriminator For Communication FM/AM Series

kHz CDS455KHz 调幅系列 片式陶瓷鉴频器

kHz CDS455KHz Series of Ceramic Discriminator for AM (SMD-type)



### ■ 特点 Feature

- ▶ 稳定性好, 灵敏性高  
High Stability and sensibility
- ▶ 小型化和重量轻松  
Small Size and Light Weight
- ▶ 低价格和无调整性  
Low Price and Non-Adjustable

尺寸(Size) :6.0\* 6.0 \* 3.1

### ■ 技术特性 Technicsl Characteristics

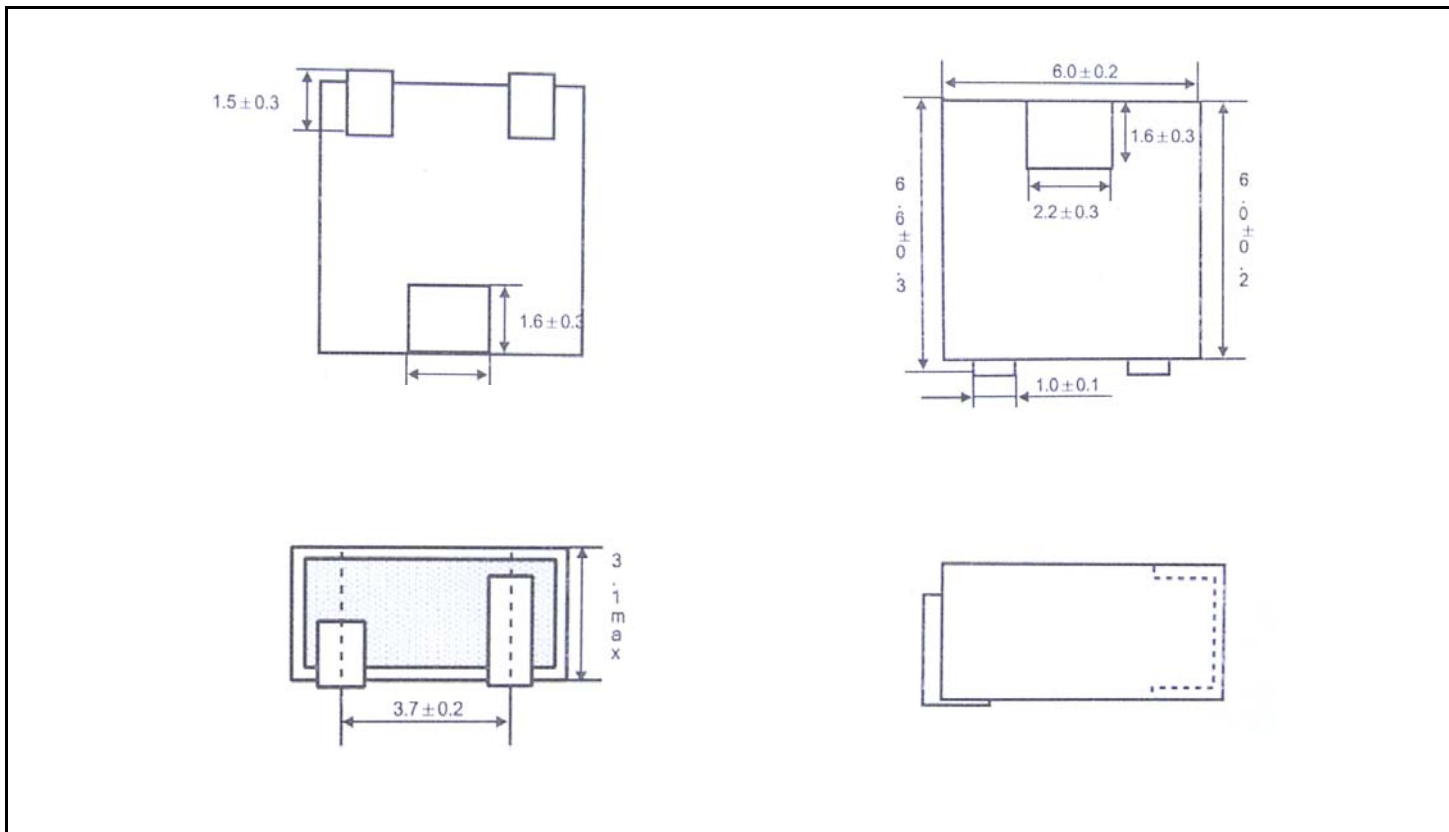
型号 PART NO.	反谐振频率 Anti-resonant Freq.Fr	$\Delta F(Fa-Fr)$	谐振电阻 Resonant Resistance	电容 Static Capacitance
CDS455C03	455 $\pm$ 1.5 kHz	46 $\pm$ 5.0 kHz	70 Max	550pF $\pm$ 20%

型号 PART NO.	解调3dB带宽 Demodulation 3dB Band Width	解调 输入 Demodulation Output (455kHz)	偏差因素 Distortion Factor (455kHz)
CDS455C24	$\pm$ 4.0 kHz min	100 $\pm$ 20mv	2.0% max
CDS455C28	$\pm$ 3.0 kHz min	40 $\pm$ 20mv	3.0% max
CDS455C32	$\pm$ 4.0 kHz min	40 $\pm$ 20mv	3.0% max
CDS455C40	$\pm$ 4.0 kHz min	40 $\pm$ 20mv	3.0% max
CDS455C47	$\pm$ 4.0 kHz min	45 $\pm$ 10mv	3.0% max
CDS455C50	$\pm$ 4.0 kHz min	64 $\pm$ 6.4mv	4.0% max

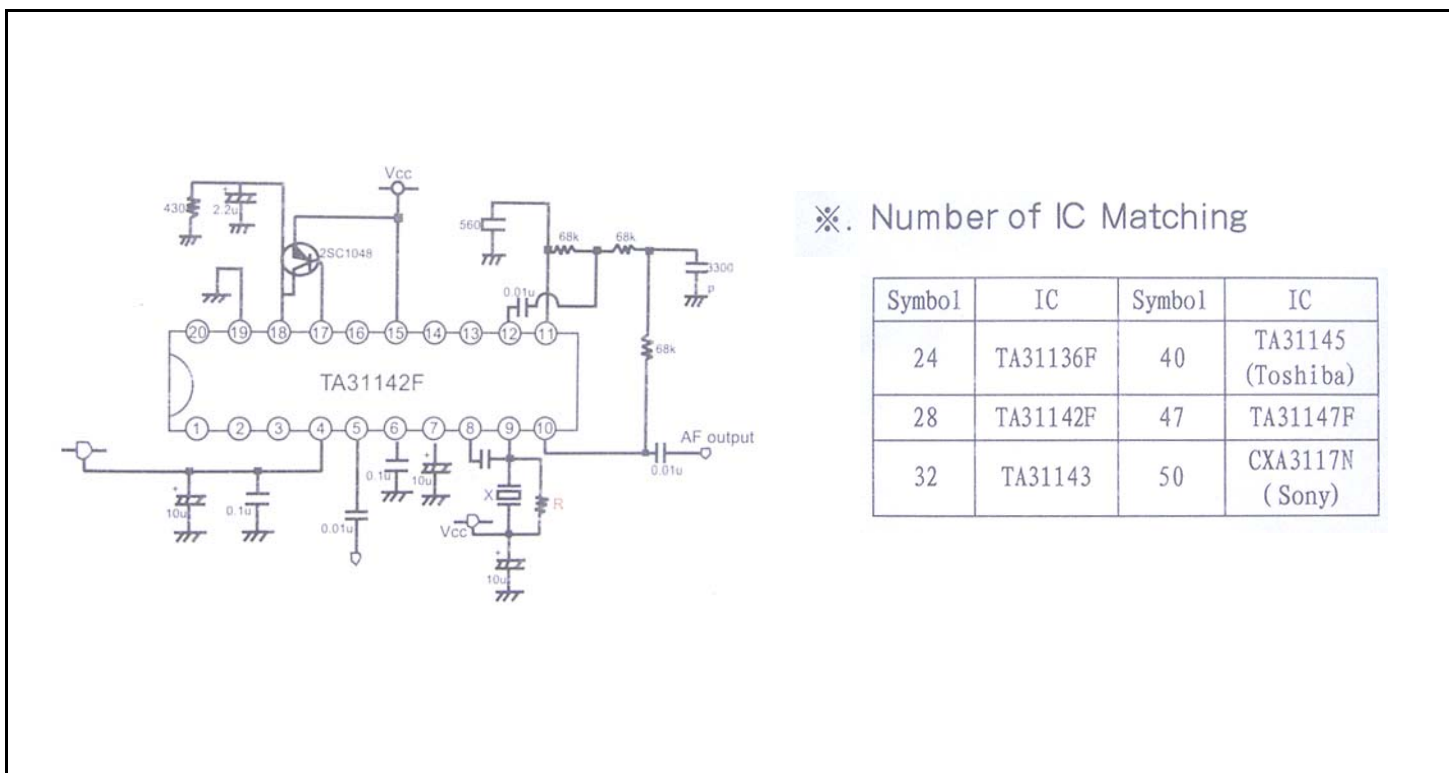
注: 中心频率 (fo) 也有450khz的

Also available with center frequency(fo) of 450khz

## ■ 外型尺寸 Dimension



## ■ 测试电路 Test Circuit



※. Number of IC Matching

Symbol	IC	Symbol	IC
24	TA31136F	40	TA31145 (Toshiba)
28	TA31142F	47	TA31147F
32	TA31143	50	CXA3117N (Sony)