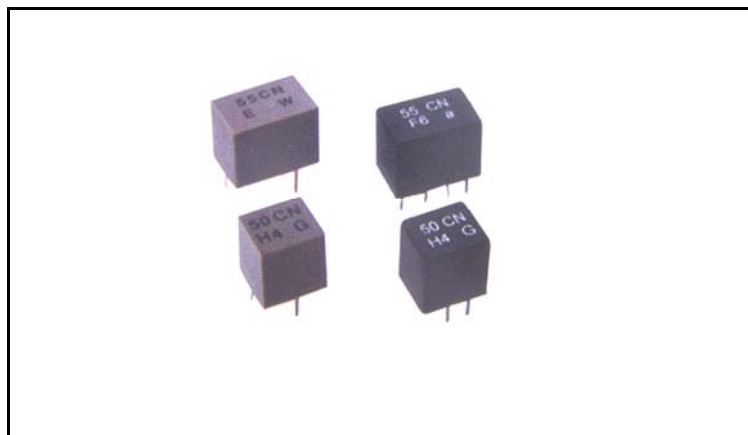


通讯调幅系列 陶瓷滤波器

Ceramic Filter for Communication AM Series

KHZ CM/CN 455/450 系列 插入式陶瓷滤波器 (6素子)

KHZ CM/CN 455/450 Series of Ceramic Filter (Chip-type)



■ 特点 Feature

- ▶ 无需调整
Adjustment-free operation
- ▶ 广泛的带宽和灵活的选择性
Wide bandwidth and high selectivity
- ▶ 适用于汽车收音机和各种频段的无线电
Suitable for car radio and multi band radio

尺寸(Size) : 11.0 * 7.0 * 8.4
9.5 * 6.4 * 6.3

■ 技术特性 Technical Characteristics

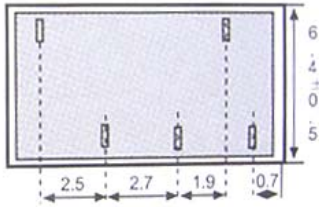
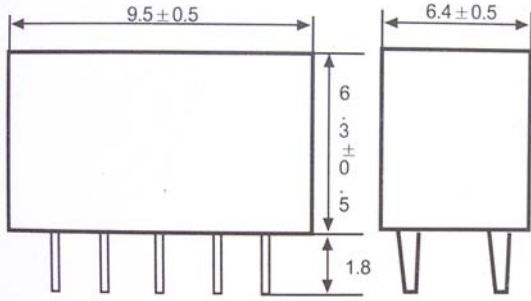
型号 Part No.	中心频率 Center Frequency (kHz)	6分贝带宽 6dB Band Width (kHz) min	50(40)分贝带宽 50(40)dB Band Width (kHz) max	阻带耗 Stop Band Attenuation (dB)min	通带波动 Pass Band Ripple (dB) max	插入损耗 Insert Loss (dB) max	输入/输出阻抗 Input/Output Impedance (KΩ)
CM/CN455B6	455	± 15.0	± 30.0	35.0	3.0	4	1500
CM/CN455C6	455	± 12.5	± 24.0	35.0	3.0	4	1500
CM/CN455D6	455	± 10.0	± 20.0	35.0	3.0	4	1500
CM/CN455E6	455	± 7.5	± 15.0	35.0	3.0	4	1500
CM/CN455F6	455	± 6.0	± 12.5	35.0	3.0	4	2000
CM/CN455G6	455	± 4.5	± 10.0	35.0	3.0	4	2000
CM/CN455H6	455	± 3.0	± 9.0	45.0	3.0	4	2000

注：中心频率 (fo)也有450khz的

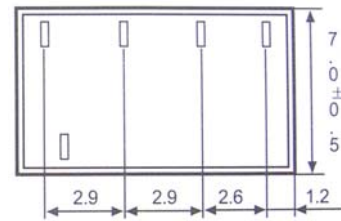
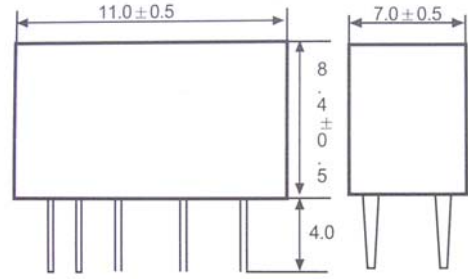
Also available with center frequency(fo) of 450khz

■ 外型尺寸 Dimension

● CM (Miniature) Type
6素子 (6 element)

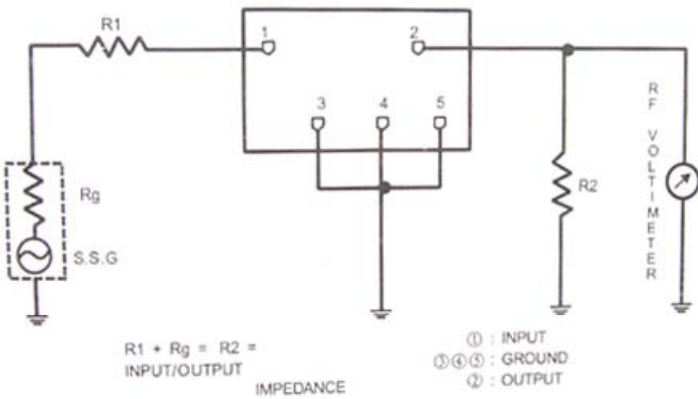


● CN (Normal) Type
6素子 (6 element)



■ 测试电路 Test Circuit

● CM (Miniature) Type
6素子 (6 element)



● CN (Normal) Type
6素子 (6 element)

